

Features

- Natural honed marble or limestone etched with Japanese kimono-inspired textural patterns.
- Etched surface is highlighted with a subtle champagne-gold metallic finish.
- Asymmetrical oval basin.
- No faucet holes; requires wall- or counter-mount faucet.
- Coordinates with optional K-95069 Kensho drain cover (sold separately).

Material

- Available in Biancone marble from Italy or Grey Foussana limestone from Tunisia.
- Carved from natural stone, each sink is unique and shows distinctive variations in stone characteristics such as color, veining, and markings.

Installation

- Vessel.

Recommended Products/Accessories

- K-95069 Drain Cover
- K-23726 Drain treatment
- K-23723 Faucet cleaner



ADA CSA B651 OBC

Codes/Standards



ADA
ICC/ANSI A117.1
CSA B651
OBC

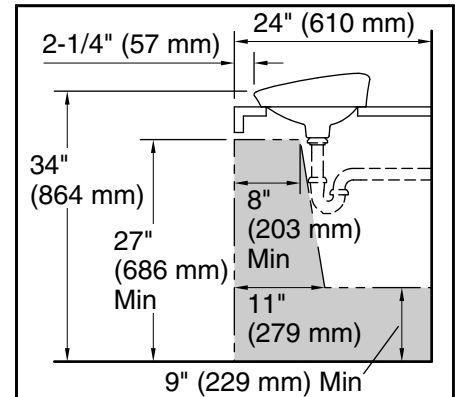
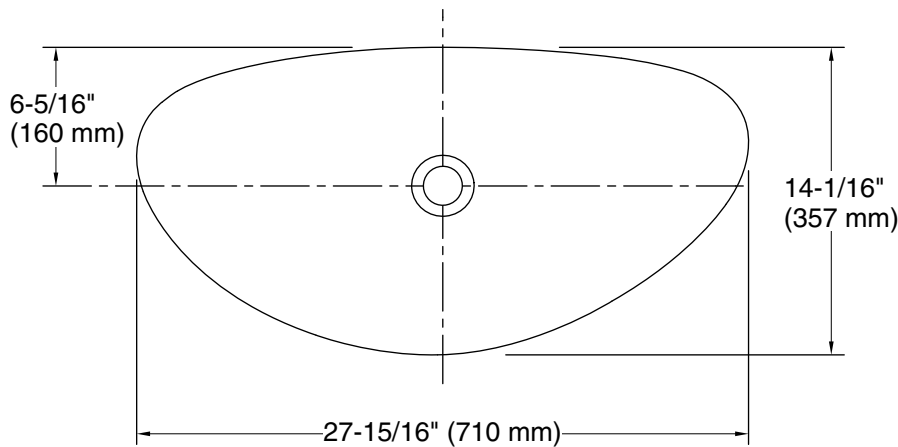
KOHLER® One-Year Limited Warranty

See website for detailed warranty information.

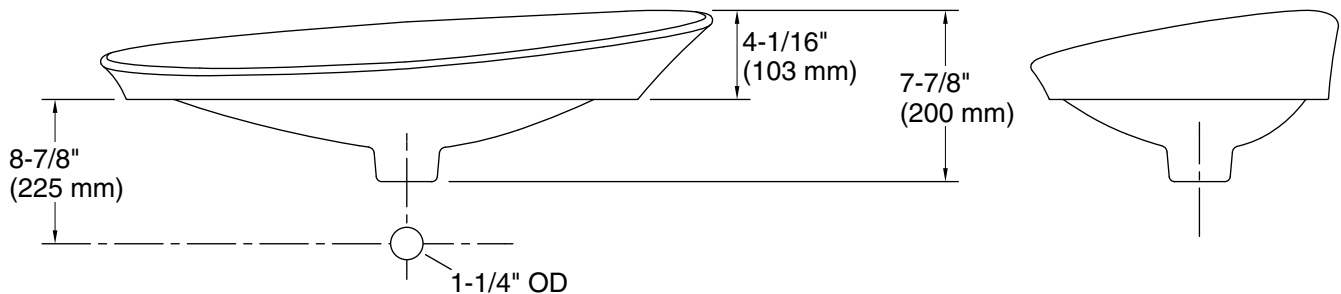
Available Colors/Finishes

Color tiles intended for reference only.

| Color | Code | Description |
|---|------|---------------|
|  | CS6 | Biancone |
|  | CS7 | Grey Foussana |



Recommended ADA Installation



Technical Information

All product dimensions are nominal.

| | |
|---------------|---|
| Installation: | Vessel |
| Bowl area: | Length: 27-3/16" (690 mm) Width: 13-1/4" (337 mm) Bowl depth: 3-3/16" (81 mm) Water depth: 3-3/16" (81 mm) |
| Template: | Above-counter, 1329684-7, required, included |

Notes

Install this product according to the installation instructions.

NOTICE: Countertop manufacturer or cutter must use the cut-out template provided with the product, or a current one provided by Kohler Co. (call 1-800-4-KOHLER). Kohler Co. is not responsible for cutout errors when the incorrect cut-out template is used.

Both the product and the drain to be installed using clear, 100% Silicone sealant.

The faucet should be installed such that the water stream does not directly impact the decorated surface.

If the faucet is deck-mounted on the center-line of the product we recommend a minimum of a 5" faucet reach to extend past the decorated portion of the surface.

ADA, OBC, CSA B651 compliant when installed to the specific requirements of these regulations.